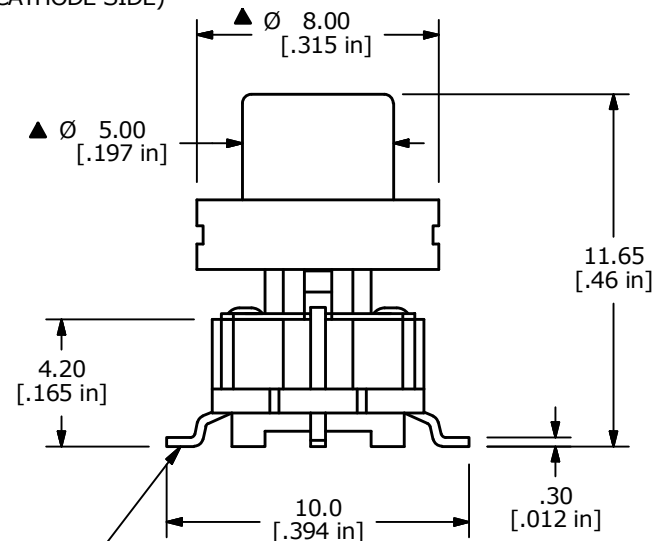
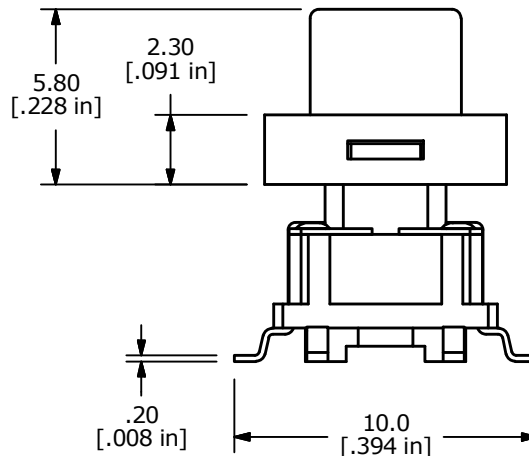


NOTES:

1. ALL DIMENSIONS IN MM [INCH]
2. GENERAL TOLERANCE: X.X = ±0.4
X.XX = ±0.25
3. RATING: 12VDC @ 50mA
4. CONTACT RESISTANCE: 100mΩ MAX.
5. INSULATION RESISTANCE: 100MΩ MIN.
6. OPERATING FORCE: 160 ± 50gf
7. TRAVEL: 0.2 ± 0.1mm
8. OPERATING TEMPERATURE: -40°C to 85°C
9. OPERATING LIFE 500,000 CYCLES
- ▲ 10. LED COLOR: GREEN
11. ▲ DENOTED CRITICAL PARAMETER
12. 2011/65/EU (ROHS) COMPLIANT
13. PACKAGE: SWITCHES ARE 450 PIECES PER REEL
BUTTONS WILL BE BAGGED SEPERATE
450 BUTTONS PER BAG.
14. PART TO BE HALOGEN FREE.
15. BUTTONS TO BE ASSEMBLED ONTO THE SWITCH AFTER SOLDERING.



ALL TERMINALS TO BE
COPLANER WITHIN
0.1mm(0.004")

LED SPECS	UNITS	GREEN
FORWARD CURRENT	mA	20
FORWARD VOLTAGE	V	2.1 TYP. - 2.5 MAX
LUMINOUS INTENSITY	MCD	800 TYP.



B	23036	update Package Note	10/9/17	MW
A	22935	New Release	7/20/17	rc
REV	PCR NO	DESCRIPTION	DATE	BY

TITLE TL3265GQSCLR				
SCALE	DATE	DR	DWG	REV
4:1	7/5/2017	rc	B200074	B